

Inkcups and rings - general



Inkcups

One of the most important components in achieving a quality print, is the ink cup.
SICATECH has developed a series of ink cups.

- with magnets around the edge for ceramic or carbide rings.
- with fully covered magnets around the edge for ceramic or carbide rings.
- a series of oval cups with steel rings (uncovered magnets).

The ink cups contain less ink than conventional inkcups and are very easy to clean.
Available with large screw cap or viscomix connection (automatic thinning and viscosity control).

These series of ink cups can be fitted into any pad printer on the market today. Depending on the pad printer, minor changes might be required.

The ink cups can be delivered in standard types and sizes, but we can make customized versions on request, oval or round, ceramic or steel.

Rings

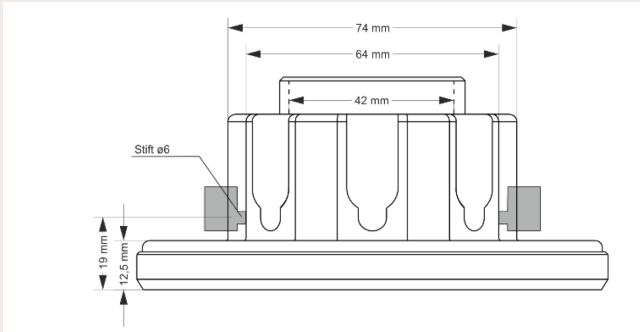
SICATECH has developed a series of ceramic rings, using the best ceramic on the market for high quality doctoring and durability. Most sizes come in carbide also.

If we do not have a ring suitable to your needs, we will customize one for you.





SICATECH Inkcups



SICATECH inkcups with standard gripper and 42 mm brass plug, prepared for our Viscomix™ automated thinner diluting system.

SICATECH Inkcups with magnets



SICATECH inkcups for ceramic or carbide rings with magnets around the edge. Fitted for our standard gripper and 42mm brass plug, prepared for our Viscomix™ automated thinner diluting system (excl. ring)

Fits to SICATECH and microPrint and Viscomix™

Item no.	SICATECH MP ink cups w. 42mm plug
08271	Cup f. ring (f. Sicatech) ø 56mm
08274	Cup f. ring (f. Sicatech) ø 70mm
08275	Cup f. ring (f. Sicatech) ø 77mm
08276	Cup f. ring (f. Sicatech) ø 86mm
08105	Cup f. ring (f. Sicatech) ø 120mm
08109	Cup f. ring (f. Sicatech) ø 140mm

Fits to SICATECH and microPrint



Item no.	SICATECH MP ink cups w. 18mm plug
08071	Cup f. ring (f. Sicatech) ø 56mm
08100	Cup f. ring (f. Sicatech) ø 86mm

SICATECH Inkcups with covered magnets

SICATECH ink cups for ceramic or carbide rings with covered magnets. Fitted for our standard gripper and 42mm brass plug, prepared for our Viscomix™ automated thinner diluting system (excl. ring).



Item no.	SICATECH MP ink cups w. 42mm plug
08100v7	Cup f. ring (f. Sicatech) ø 86mm
08108	Cup f. ring (f. Sicatech) ø 120mm

Item no.	SICATECH ink cup, viscomat plug
08098	Cup f. ring (f. Sicatech) ø 86mm
08106	Cup f. ring (f. Sicatech) ø 120mm
08110	Cup f. ring (f. Sicatech) ø 140mm
08119	Cup f. ring (f. Sicatech) ø 200mm

SICATECH Inkcups with magnets – oval

SICATECH inkcups - oval for steel ring with magnets around the edge.



Fitted for our standard gripper and 42mm brass plug, prepared for our Viscomix™ automated thinner diluting system (excl. ring).

Item no.	SICATECH inkcup – Oval w. 42 mm plug
08121	Cup f. oval ring (f.Sicatech) ø 90/120mm
08120	Cup f. oval ring (f.Sicatech) ø 120/135mm
08021	Cup f. oval ring (f.Sicatech) ø 120/160mm
08025	Cup f. oval ring (f.Sicatech) ø 120/370mm

Item no.	SICATECH Oval steel ring (incl. o-ring)
08231	Oval steel ring ø 90/120mm
08230	Oval steel ring ø 120/135mm
08241	Oval steel ring ø 120/160mm
08245	Oval steel ring ø 120/370mm

Item no.	Item no. SICATECH o-ring
08127	O-ring f. ø 86mm and ø 90/120mm cup
08129	O-ring f. ø 120mm and ø 120/135mm cup
08130	O-ring f. ø 140mm and ø 120/160mm cup
08137	O-ring f. ø 120/370mm cup



SICATECH – Ceramic & carbide rings H9

SICATECH ceramic ring og carbide ring - H9 suitable for Sicatech, microPrint etc. (incl. o-ring).



Item no.	SICATECH ceramic ring - H9
08055	Ceramic ring (f.Sicatech) \varnothing 56mm
08054	Ceramic ring (f.Sicatech) \varnothing 77mm
08057	Ceramic ring (f.Sicatech) \varnothing 86mm
08053	Ceramic ring (f.Sicatech) \varnothing 115mm
08058	Ceramic ring (f.Sicatech) \varnothing 120mm
08059	Ceramic ring (f.Sicatech) \varnothing 140mm

Item no.	SICATECH ceramic ring - H9
08055	Ceramic ring (f.Sicatech) \varnothing 56mm
08054	Ceramic ring (f.Sicatech) \varnothing 77mm
08057	Ceramic ring (f.Sicatech) \varnothing 86mm
08053	Ceramic ring (f.Sicatech) \varnothing 115mm
08058	Ceramic ring (f.Sicatech) \varnothing 120mm
08059	Ceramic ring (f.Sicatech) \varnothing 140mm

Item no.	SICATECH o-ring
08124	O-ring f. \varnothing 56mm
08126	O-ring f. \varnothing 70mm
08133	O-ring f. \varnothing 77mm
08127	O-ring f. \varnothing 86mm
08134	O-ring f. \varnothing 115mm
08129	O-ring f. \varnothing 120mm
08130	O-ring f. \varnothing 140mm
08132	O-ring f. \varnothing 160mm
08136	O-ring f. \varnothing 200mm



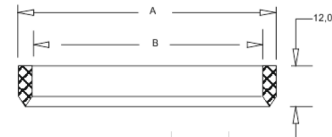
Item no.	Item no.	$\varnothing A$	$\varnothing B$
08055	08255	62	56
08054		83	77
	08256	76	70
08057	08257	92	86
08053		121	115
08058	08258	127	120
08059	08259	144	136

SICATECH – Ceramic rings H12

SICATECH ceramic ring – H12 suitable for Tecaprint etc.



Item no.	SICATECH ceramic ring - H12
08171	Ceramic ring (f.Teca) \varnothing 56mm
081712	Ceramic ring (f.Teca) \varnothing 72mm
08173	Ceramic ring (f.Teca) \varnothing 86mm
08174	Ceramic ring (f.Teca) \varnothing 96mm

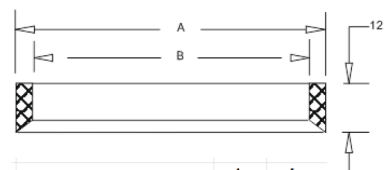


Item no.	$\varnothing A$	$\varnothing B$
08171	60	53
08172	76	68
08173	90	82
08174	100	92

SICATECH ceramic ring – H12 suitable for Morlock etc.

Item no.	SICATECH ceramic ring - H12
08179	Ceramic ring (f.Morlock) \varnothing 66,6mm
08180	Ceramic ring (f.Morlock) \varnothing 71mm
08181	Ceramic ring (f.Morlock) \varnothing 86,6mm
08182	Ceramic ring (f.Morlock) \varnothing 90,6mm

Item no.	SICATECH carbide ring - H12
08348	Carbide ring (f.Morlock) \varnothing 66,6mm



Item no.	Item no.	$\varnothing A$	$\varnothing B$
08179	08348	66,6	56,8
08180		71,0	62,1
08181		86,6	77,8
08182		90,6	81,7



SICATECH (TP) ink cups

SICATECH TP inkcups for ceramic or carbide rings. Fits Tampoprint machines.



w. 18mm plug:

Item no.	SICATECH TP ink cups MT
08074v1	Cup f. ring ø 60mm
08079	Cup f. ring ø 90mm, low model
08079v1	Cup f. ring ø 90mm
08082	Cup f. ring ø 130mm
08080	Cup f. ring ø 140mm

w. 42mm plug:

Item no.	SICATECH TP ink cups MT
08082v1	Cup f. ring ø 130mm

SICATECH (TP) ink cups

SICATECH TP inkcups with magnets for ceramic or carbide rings. Fits Tampoprint machines w. magnet. Mounting plate and arm not necessary.



Item no.	SICATECH TP ink cups MT
08074v2	Cup f. ring ø60mm, w. magnet
08079v2	Cup f. ring ø90mm, w. magnet
08080v1	Cup f. ring ø140mm, w. magnet

Doctoblades

Item no.	Doctor-blades in 0,5mm
	We cut to desired length
	D,5x19x? 0,50mm Doctor-blade, 19x?

SICATECH (TP) rings and seals

SICATECH TP ceramic and carbide rings. Fits Tampoprint machines. Incl plastic seal.



Item no.	SICATECH TP ceramic rings
08150	Ceramic ring ø 60mm
08151	Ceramic ring ø 90mm
08354	Ceramic ring ø 140mm

Item no.	SICATECH TP carbide rings
08150	Ceramic ring ø 60mm
08151	Ceramic ring ø 90mm
08352	Ceramic ring ø 130mm
08353	Ceramic ring ø 140mm

Item no.	SICATECH TP plastic seal
08125	Seal f. ring ø 60mm
08128	Seal f. ring ø 90mm
08131	Seal f. ring ø 130mm
08135	Seal f. ring ø 140mm

SICATECH ink cups with magnets

SICATECH inkcups for ceramic or carbide rings with magnets around the edge.

Item no.	SICATECH TP plastic seal
08097	Cup f. ring Morlock, ø 77mm
08099	Cup f. ring Morlock, ø 86mm
08100v4	Cup f. ring ACP, ø 86mm
08100v5	Cup f. ring Cromax, ø 86mm
08100v6	Cup f. ring Tosh, ø 86mm
08085	Cup f. ring Tecaprint, ø 86mm
08107	Cup f. ring Tecaprint, ø 120mm

SICATECH inkcups for ceramic or carbide rings without magnets.

Item no.	SICATECH TP plastic seal
08103	Cup f. ring, Printing int. ø 120mm