

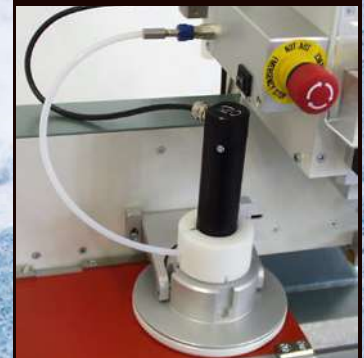
Pad printing machine with automatic pad cleaning



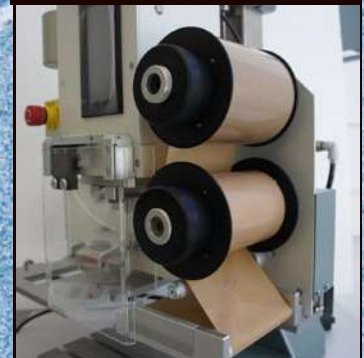
Precision
engineered for
superior quality
printing



X-Y-R Cliche Holder



Viscomat



Automatic
Pad cleaning

- Easy set-up and change-over
- Fully integrated automatic pad cleaning
- Fully-automatic ink viscosity control (optional)
- Real time Ethernet access (optional)
- Worldwide service and support

microPrint
made in switzerland

Pad printing machine with automatic pad cleaning

The LCN 131 is a compact and robust pad printing machine that has been fine-tuned for performance.

The LCN 131 is very reliable and simple to operate, and it works well as a stand-alone printer or is easily integrated into automated systems. In building all microPrint machines we use only

top quality world class components and our workmanship is unparalleled.

Worldwide service

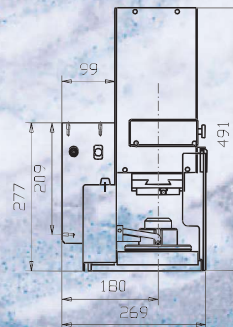
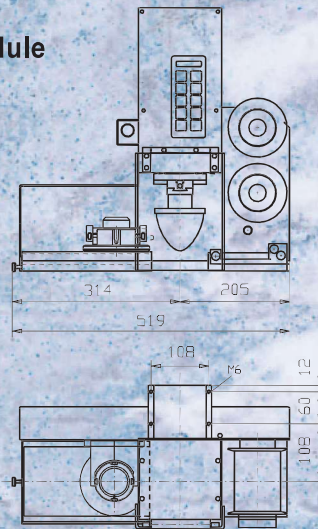
All microPrint machines come complete with our worldwide customer service network and are backed with a 1 year limited warranty.



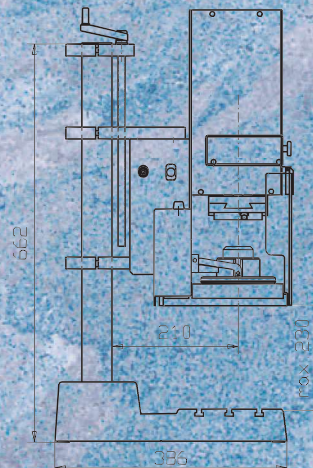
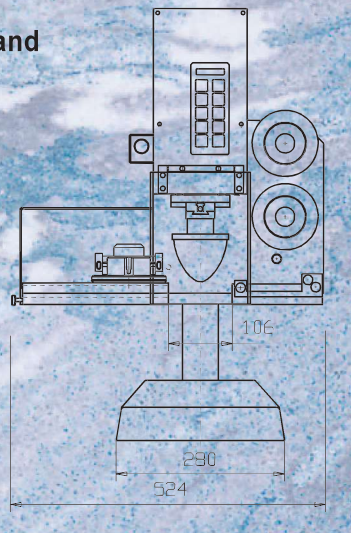
Technical data

Printing capacity without pad cleaning:	up to 2'000/hr
with pad cleaning:	up to 1'200/hr
Drive:	pneumatic
Printing force:	max. 480 N
Pad stroke:	max. 150 mm
Compressed air supply:	5–6 bar (87 psi)
Air consumption:	76 l/min
Control system:	PLC Panasonic
Main voltage:	110–240V / 50–60Hz
Control voltage:	24 VDC
Weight machine:	32 kg
Weight stand:	14 kg
Dimensions:	see illustration
Plate size	
Closed system:	max. 130 x 230 mm
Plate thickness:	0.5 or 10 mm
Cup size Ø: 1x56 mm	Print Ø: 1x46 mm
Cup size Ø: 1x70 mm	Print Ø: 1x60 mm
Cup size Ø: 1x86 mm	Print Ø: 1x76 mm
Cup size Ø: 1x120 mm	Print Ø: 1x110 mm
Number of colors:	1

Module



Stand



Info

We keep you informed with our home page <http://www.microprint.ch> about our newest developments. You will also find useful information about pad printing.

Sale:

microPrint
made in switzerland

microPrint LC GmbH
Mühlentalstrasse 184
CH-8200 Schaffhausen, Switzerland
Phone: +41 (0) 52 624 50 59
Fax: +41 (0) 52 624 50 22
E-mail: info@microprint.ch
<http://www.microprint.ch>