

Ink Cups and rings – general


Inkcups

One of the most important components in achieving a quality print, is the ink cup.

SICATECH has developed a series of ink cups

- with magnets around the edge for ceramic or carbide rings
- with fully covered magnets around the edge for ceramic or carbide rings
- a series of oval cups with steel rings (uncovered magnets)

The ink cups contain less ink than conventional ink cups and are very easy to clean. Available with large screw cap or viscomix connection (automatic thinning and viscosity control).

These series of ink cups can be fitted into any pad printer on the market today. Depending on the pad printer, minor changes might be required.

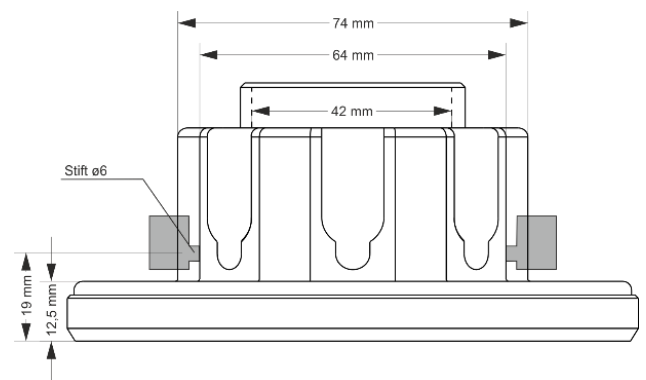
The ink cups can be delivered in standard types and sizes, but we can make customized versions on request, oval or round, ceramic or steel.


Ink Cups and rings – general


Rings

SICATECH has developed a series of ceramic rings, using the best ceramic on the market for high quality doctoring and durability. Most sizes come in carbide also.

If we do not have a ring suitable to your needs we will customize one for you.


SICATECH – Ink Cups


SICATECH incups with standard gripper and 42mm brass plug, prepared for our new **Viscomix™** automated thinner diluting system

SICATECH - Ink Cups with magnets

SICATECH ink cups for ceramic or carbide rings with magnets around the edge.



Fitted for our standard gripper and 42mm brass plug, prepared for our new **Viscomix™** automated thinner diluting system (excl. ring)

Fits to SICATECH and microPrint and **Viscomix™**

Item no. SICATECH MP ink cups w.42mm plug

- 08271 Cup f. ring (f.Sicotech) ø56mm
- 08274 Cup f. ring (f.Sicotech) ø70mm
- 08275 Cup f. ring (f.Sicotech) ø77mm
- 08276 Cup f. ring (f.Sicotech) ø86mm
- 08105 Cup f. ring (f.Sicotech) ø120mm
- 08109 Cup f. ring (f.Sicotech) ø140mm

Fits to SICATECH and microPrint


Item no. SICATECH MP ink cups w.18mm plug

- 08071 Cup f. ring (f.Sicotech) ø56mm
- 08100 Cup f. ring (f.Sicotech) ø86mm

SICATECH - Ink Cups with covered magnets

SICATECH ink cups for ceramic or carbide rings with covered magnets.



Fitted for our standard gripper and 42mm brass plug, prepared for our new **Viscomix™** automated thinner diluting system (excl. ring)

Item no. SICATECH ink cup, w42mm plug

- 08100v7 Cup f. ring (f.Sicotech) ø86mm
- 08108 Cup f. ring (f.Sicotech) ø120mm

Item no. SICATECH ink cup, viscomat plug

- 08098 Cup f. ring (f.Sicotech) ø86mm
- 08106 Cup f. ring (f.Sicotech) ø120mm
- 08110 Cup f. ring (f.Sicotech) ø140mm
- 08119 Cup f. ring (f.Sicotech) ø200mm

SICATECH - Ink cups with magnets - oval

SICATECH ink cups - oval for steel ring with magnets around the edge.



Fitted for our standard gripper and 42mm brass plug, prepared for our new **Viscomix™** automated thinner diluting system (excl. ring)

Item no. SICATECH ink cup – Oval w.42 mm plug

- 08121 Oval ink cup (f.Sicotech) ø90/120mm
- 08120 Oval ink cup (f.Sicotech) ø120/135mm
- 08021 Oval ink cup (f.Sicotech) ø120/160mm
- 08025 Oval ink cup (f.Sicotech) ø120/370mm
- 08026 Oval ink cup (f.Sicotech) ø120x370mm maxi

Item no. SICATECH Oval steel ring (incl. o-ring)

- 08231 Oval steel ring ø90/120mm
- 08230 Oval steel ring ø120/135mm
- 08241 Oval steel ring ø120/160mm
- 08245 Oval steel ring ø120/370mm
- 08246 Oval steel ring ø120/370mm maxi

Item no. SICATECH Oval steel ring (incl. o-ring)

- 08330 Oval ceramic ring ø120/135mm

Item no. SICATECH o-ring

- 08127 O-ring f. ø86mm and ø90/120mm cup
- 08129 O-ring f. ø120mm and ø120/135mm cup
- 08130 O-ring f. ø140mm and ø120/160mm cup
- 08137 O-ring f. ø120/370mm

SICATECH – Plugs for Ink cups
Item no. Plugs for ink cups

- 08065 Plug f. viscomat cup
- 08066 Plug f. Tampoprint cups
- 08074V5 Cup f.ring (f. Tampoprint) ø60mm, pom plug
- 08630 Plug for cup 08108 (hvid)
- 08640 Plug f. cup 08098,08106,08110
- 08641 Plug 40mm black
- 08641C Plug 40mm clear
- 08642 Plug for 08100P2
- 08643 Plug for 08069
- 08650 Viscomix plug for cup
- 08660 Plug f.cup m.messing skrue og s.magnet

SICATECH – Ceramic & carbide rings H9

SICATECH ceramic ring og carbide ring - H9 (incl. o-ring)



suitable for Sicatech, microPrint etc.

Item no. SICATECH ceramic ring - H9

- 08055 Ceramic ring (f.Sicatech) \varnothing 56mm
- 08056 Ceramic ring (f.Sicatech) \varnothing 70mm
- 08054 Ceramic ring (f.Sicatech) \varnothing 77mm
- 08057 Ceramic ring (f.Sicatech) \varnothing 86mm
- 08053 Ceramic ring (f.Sicatech) \varnothing 115mm
- 08058 Ceramic ring (f.Sicatech) \varnothing 120mm
- 08059 Ceramic ring (f.Sicatech) \varnothing 140mm

Item no. SICATECH carbide ring - H9

- 08255 Carbide ring (f.Sicatech) \varnothing 56mm
- 08256 Carbide ring (f.Sicatech) \varnothing 70mm
- 08253 Carbide ring (f.Sicatech) \varnothing 77mm
- 08257 Carbide ring (f.Sicatech) \varnothing 86mm
- 08258 Carbide ring (f.Sicatech) \varnothing 120mm
- 08259 Carbide ring (f.Sicatech) \varnothing 140mm

Item no. SICATECH o-ring

- 08124 O-ring f. \varnothing 56mm
- 08126 O-ring f. \varnothing 70mm
- 08133 O-ring f. \varnothing 77mm
- 08127 O-ring f. \varnothing 86mm
- 08134 O-ring f. \varnothing 115mm
- 08129 O-ring f. \varnothing 120mm
- 08130 O-ring f. \varnothing 140mm
- 08132 O-ring f. \varnothing 160mm
- 08136 O-ring f. \varnothing 200mm



Item no.	Item no.	\varnothing A	\varnothing B
08055	08255	62	56
08054		83	77
	08256	76	70
08057	08257	92	86
08053		121	115
08058	08258	127	120
08059	08259	144	136

SICATECH – Ceramic rings H12

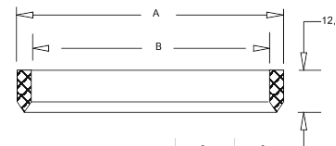
SICATECH ceramic ring – H12



suitable for Tecaprint etc.

Item no. SICATECH ceramic ring - H12

- 08171 Ceramic ring (f.Teca) \varnothing 56mm
- 08172 Ceramic ring (f.Teca) \varnothing 72mm
- 08173 Ceramic ring (f.Teca) \varnothing 86mm
- 08174 Ceramic ring (f.Teca) \varnothing 96mm



Item no.	\varnothing A	\varnothing B
08171	60	53
08172	76	68
08173	90	82
08174	100	92

SICATECH ceramic ring – H12

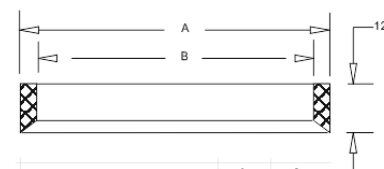
suitable for Morlock etc.

Item no. SICATECH ceramic ring - H12

- 08179 Ceramic ring (f.Morlock) \varnothing 66,6mm
- 08180 Ceramic ring (f.Morlock) \varnothing 71mm
- 08181 Ceramic ring (f.Morlock) \varnothing 86,6mm
- 08182 Ceramic ring (f.Morlock) \varnothing 90,6mm
- 08185 Ceramic ring (f.Morlock) \varnothing 116,6mm

Item no. SICATECH carbide ring - H12

- 08348 Carbide ring (f.Morlock) \varnothing 66,6mm



Item no.	Item no.	\varnothing A	\varnothing B
08179	08348	66,6	56,8
08180		71,0	62,1
08181		86,6	77,8
08182		90,6	81,7

SICATECH (TP) ink cups


SICATECH TP inkcups for ceramic or carbide rings

Fits Tampoprint machines

- Item no. SICATECH TP ink cups MT w.18mm plug:**
- 08074v1 Cup f. ring ø60mm
 - 08079 Cup f. ring ø90mm, low model
 - 08079v1 Cup f. ring ø90mm
 - 08082 Cup f. ring ø130mm
 - 08080 Cup f. ring ø140mm

- Item no. SICATECH TP ink cups MT w.42mm plug:**
- 08082v1 Cup f. ring ø130mm

SICATECH (TP) ink cups with magnets


SICATECH TP inkcups with magnets for ceramic or carbide rings.

Fits Tampoprint machines w.magnet. Mounting plate and arm not necessary.

- Item no. SICATECH TP ink cups MT**
- 08074v2 Cup f. ring ø60mm, w.magnet
 - 08079v2 Cup f. ring ø90mm, w.magnet
 - 08080v1 Cup f. ring ø140mm, w.magnet

Doctoblades

Item no. Doctor-blades in 0,5mm
we cut to desired length

D,5x19x? 0,50mm Doctor-blade, 19x?

SICATECH (TP) rings and seals


SICATECH TP ceramic and carbide rings. Incl plastic seal.

Fits Tampoprint machines.

- Item no. SICATECH TP ceramic rings**
- 08150 Ceramic ring ø60mm
 - 08151 Ceramic ring ø90mm
 - 08354 Ceramic ring ø140mm

- Item no. SICATECH TP carbide rings**
- 08350 Carbide ring ø60mm
 - 08351 Carbide ring ø90mm
 - 08352 Carbide ring ø130mm
 - 08353 Carbide ring ø140mm

- Item no. SICATECH TP plastic seal**
- 08125 Seal f. ring ø60mm
 - 08128 Seal f. ring ø90mm
 - 08131 Seal f. ring ø130mm
 - 08135 Seal f. ring ø140mm

SICATECH ink cups with magnets

SICATECH inkcups for ceramic or carbide rings with magnets around the edge.

- Item no. SICATECH ink cups**
- 08097 Cup f. ring Morlock, ø77mm
 - 08099 Cup f. ring Morlock, ø86mm
 - 08100v4 Cup f. ring ACP, ø86mm
 - 08100v5 Cup f. ring Croma, ø86mm
 - 08100v6 Cup f. ring Tosh, ø86mm
 - 08085 Cup f. ring Tecaprint, ø86mm
 - 08107 Cup f. ring Tecaprint, ø120mm

SICATECH inkcups for ceramic or carbide rings
without magnets.

- Item no. SICATECH ink cups**
- 08103 Cup f. ring, Printing int. ø120mm