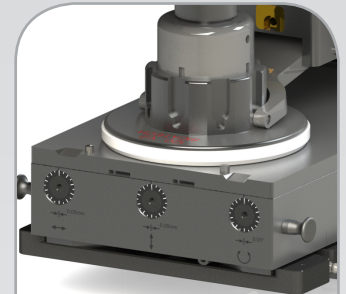


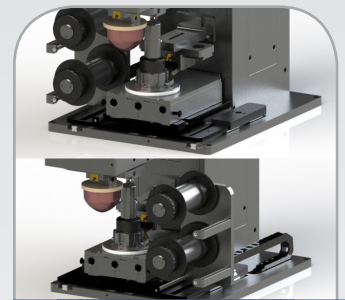


X1 Pad Printing Machine

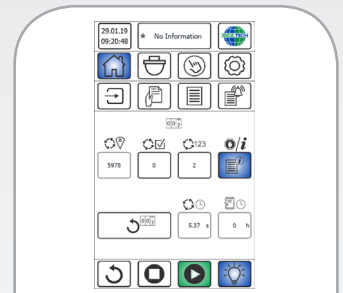
1 to 4 color modular system



Easy print adjustment



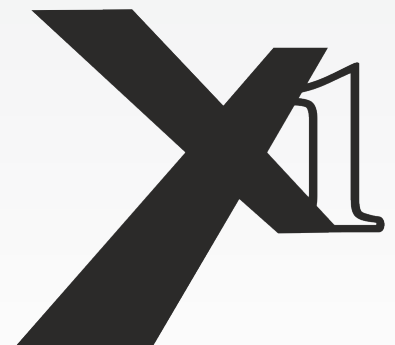
Multiple Configuration options



X-Control™
5" Touch Screen

- ✓ **Standard pad printing machine platform**
- ✓ **Flexible configuration**
- ✓ **Easy and intuitive operation**
- ✓ **High precision**

**Sicotech goes all the way
for our customers**





X1 Attention to details

The Sicatech X1 pad printing machine is based on a platform, which can be customized to do a wide range of printing jobs. In the X-control™ system you can fully program individual print cycles and save it in a recipe for repeating productions.

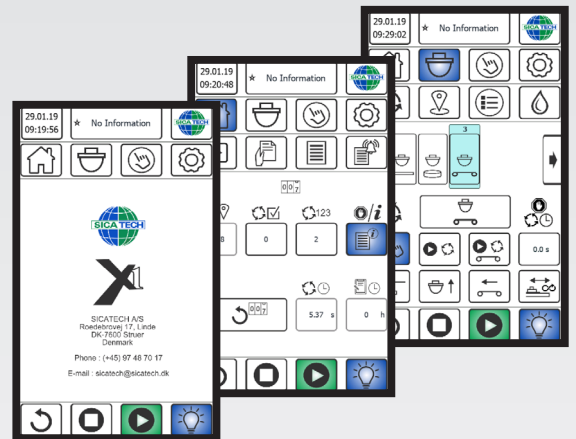
The success of the pad printing process comes from a balance between printing machine, cliché, silicone pad and ink. With the X1 you have full control of all parameters enabling a high-quality end result.



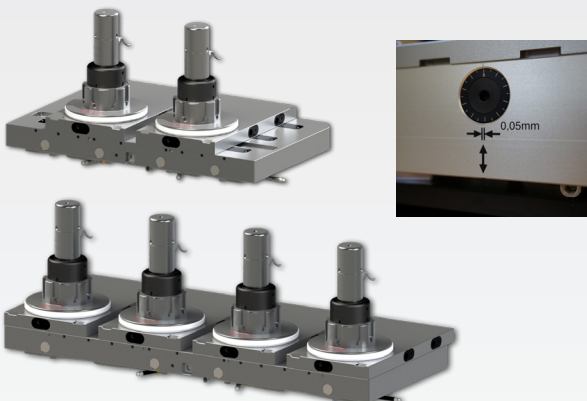
All the main parts of the X1 is made from precision milled components, making the precision and reproducibility second to none.

5" touch screen

with the unique X-Control™ system for easy intuitive setup and handling of your printing process. Flexible print cycles can be set up to optimize cycle times.



Several cliché and cup holding options can be chosen to match specific requirement. In every option we ensure easy adjustability and handling.



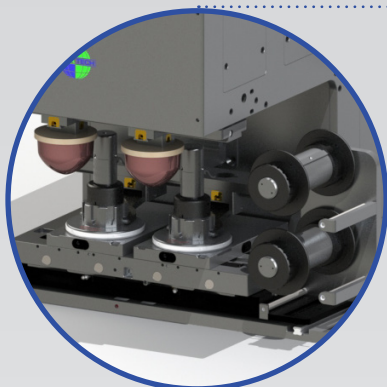
X1 Perfect for building into a production line.

Can easily be integrated into a production set-up with external main control and individual communication to each X1.



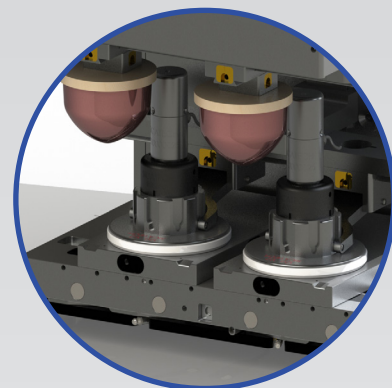


Configure the X1 to match your requirements



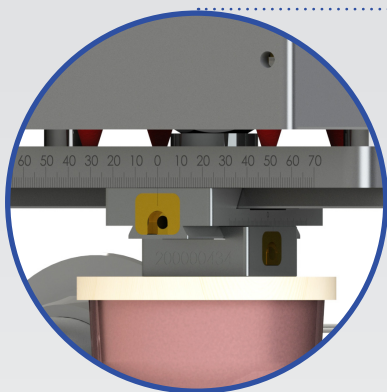
Pad Cleaning

- Tape rolls right
- Tape rolls left
- Tape rolls each side



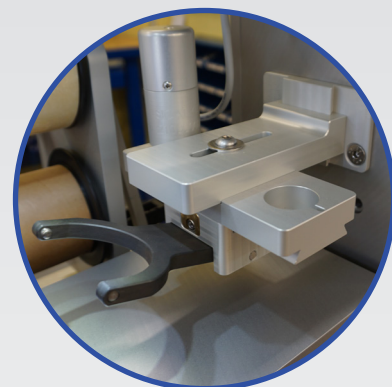
Cliché holding plates

- Clichés length 250 mm
- Cliché width 70-620 mm



Pad positioning

- Slide Set X/Y
- High adjustment blocks
- Variable high adjustment
- Pad shuttles
- Selective pads



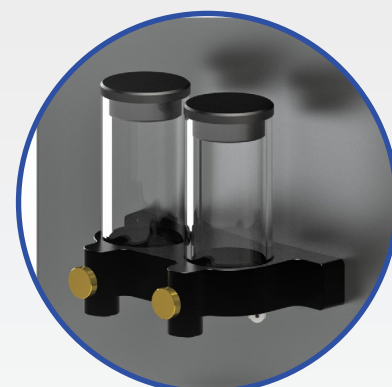
Cup holders

- Simple, fixed
- High adjustable
- With Viscomix bracket



HMI position

- Front
- Rear
- External



Viscomix™

- Automated thinner diluting for 1 to 4 cups

And, if we don't have it, we will make it!

X ¹ Technical data			
	X1-170	X1-440	X1-620
Printing capacity	Without pad cleaning		With pad cleaning
	Up to 2000 / hour		Up to 1400 / hour
Print Force	Max 1100 N or 1800 N	Max 1100 N, 1800 N or 3000 N	
Pad Stroke	Max. 280 mm	Max. 280 mm	Max. 280 mm
Drive	Pneumatic		
Print Accuracy	+/- 0,05 mm	+/- 0,05 mm	+/- 0,05 mm
Control System	PLC, Siemens S7		
Communication	Profinet or Digital I/O		
Main Voltage	110-240V / 50-60Hz		
Compressed Air Supply	6 bar (87 psi)		
No. of Colors	1-2	1-4	1-4
Cup sizes	Ø 56 – Ø120 mm Oval up to 120/370 mm	Ø 56 – Ø120 mm Oval up to 120/370 mm	Ø 56 – Ø120 mm Oval up to 120/370 mm
Cliché size	L: 250 W: 70-170 mm	L: 250 W: 70-440	L: 250 W: 70-620
Machine Weight	90 kg	127 kg	153 kg
Dimensions	W: 432 L: 757 H: 808 mm	W: 703 L: 757 H: 808 mm	W: 883 L: 757 H: 808 mm

Full service provider

At Sicatech we have more than 30 years of experience making pad printing solutions for our customers. Sicatech is known for its quick turnaround and ability to deliver and support the best products on the market. We supply the full range of products and accessories to make the pad printing production a success at our customers.

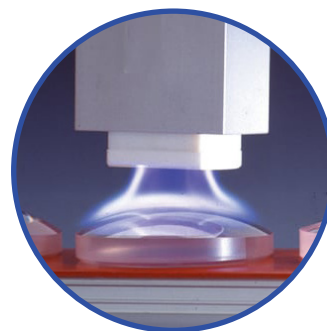
To our customers we are not only a supplier. We are also considered as your partner and your adviser. The one who can always deliver the correct pad printing solution.



Pad Printing accessories



Automation



Surface treatment



Fixtures and Jigs